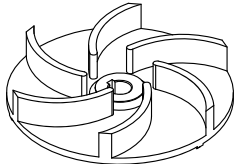


HYDROPOMPE	VORTEX IMPELLER 	60 Hz
F SERIES		2 POLE
22XMV		

USE

Submersible electric pump particularly suitable for the emptying of basements, garages, cellars and flooded premises.

MATERIALS

Cover
Cast iron EN GJL 200 (UNI EN 1561)

Pump housing
Cast iron EN GJL 200 (UNI EN 1561)

Impeller
Cast iron EN GJL 200 (UNI EN 1561)

Seal motor side
Seal ring

Mechanical seal impeller side
Steatite/Graphite

Motor housing
Stainless steel AISI 304

Motor shaft
Stainless steel AISI 416

Bolts and nuts
Stainless steel Grade A2

Cable
10 meters type H07RN-F 3G1mm² and SCHUKO plug

LIMITS OF USE

Max temperature of the liquid pumped
+40°C

pH of the liquid pumped
6÷10

Max immersion depth
5 m

Liquid density
1,0 kg/dm³

Min immersion depth for continuous service
250 mm

Free passage
30 mm

Max number starts/hour
20

Acoustic pressure level issued
<70dB(A)

MOTOR

The electric motor is asynchronous with squirrel cage rotor in oil bath
Class of insulation F
Protection degree IP68
2pole; 60Hz

Main voltage values and relative tolerance in relation to the rated voltage value:
SINGLE-PHASE
230V ±6%
built-in overheating protection and float switch


Other voltages on request.

OTHER FEATURES ON REQUEST

Silicon carbide (SiC/SiC) mechanical seal
Frequency 50 Hz (*see specific catalogue*)
Other voltages
With food grade white oil

TECHNICAL DATA

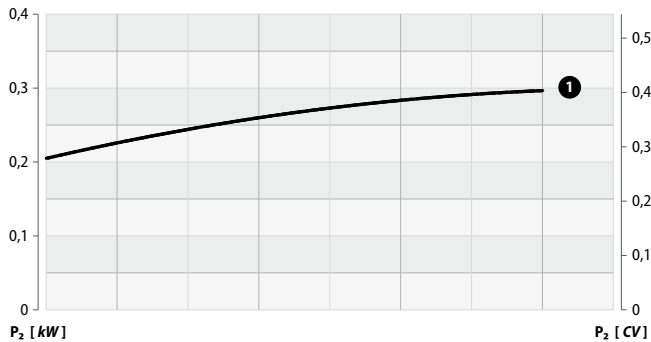
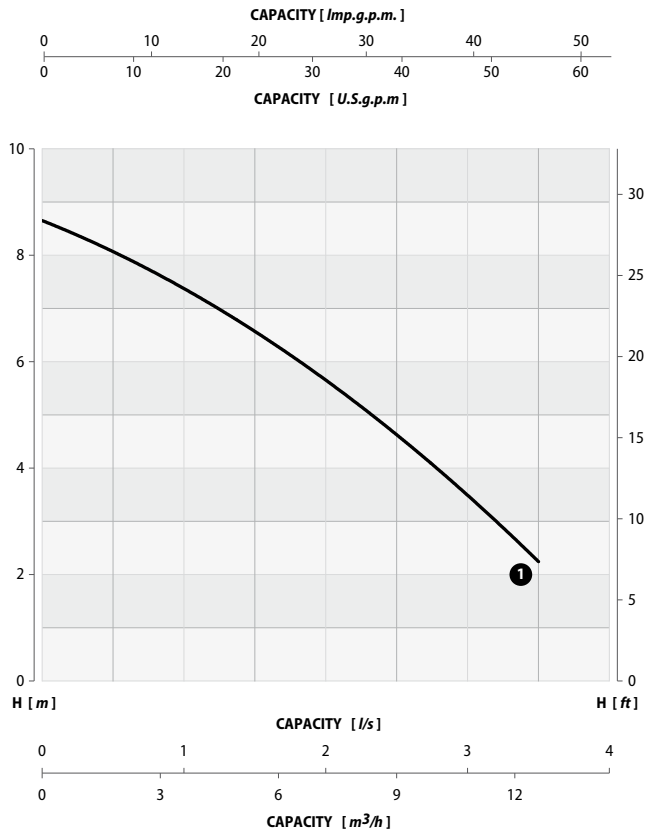
MODEL	P1		P2		VOLTAGE V	CURRENT A	CAPACITOR		CABLE m	WEIGHT kg
	kW		kW	CV			µF	V		
22XMV	0,57		0,30	0,40	230 (1~)	2,9	8	450	10	11

F SERIES	22XMV		VORTEX IMPELLER	60 Hz
				2 POLE


PERFORMANCE RANGE

CAPACITY								
<i>l/s</i>	0	0,5	1	1,5	2	2,5	3,0	3,5
<i>m³/h</i>	0	1,8	3,6	5,4	7,2	9,0	10,8	12,6
<i>l/min</i>	0	30	60	90	120	150	180	210

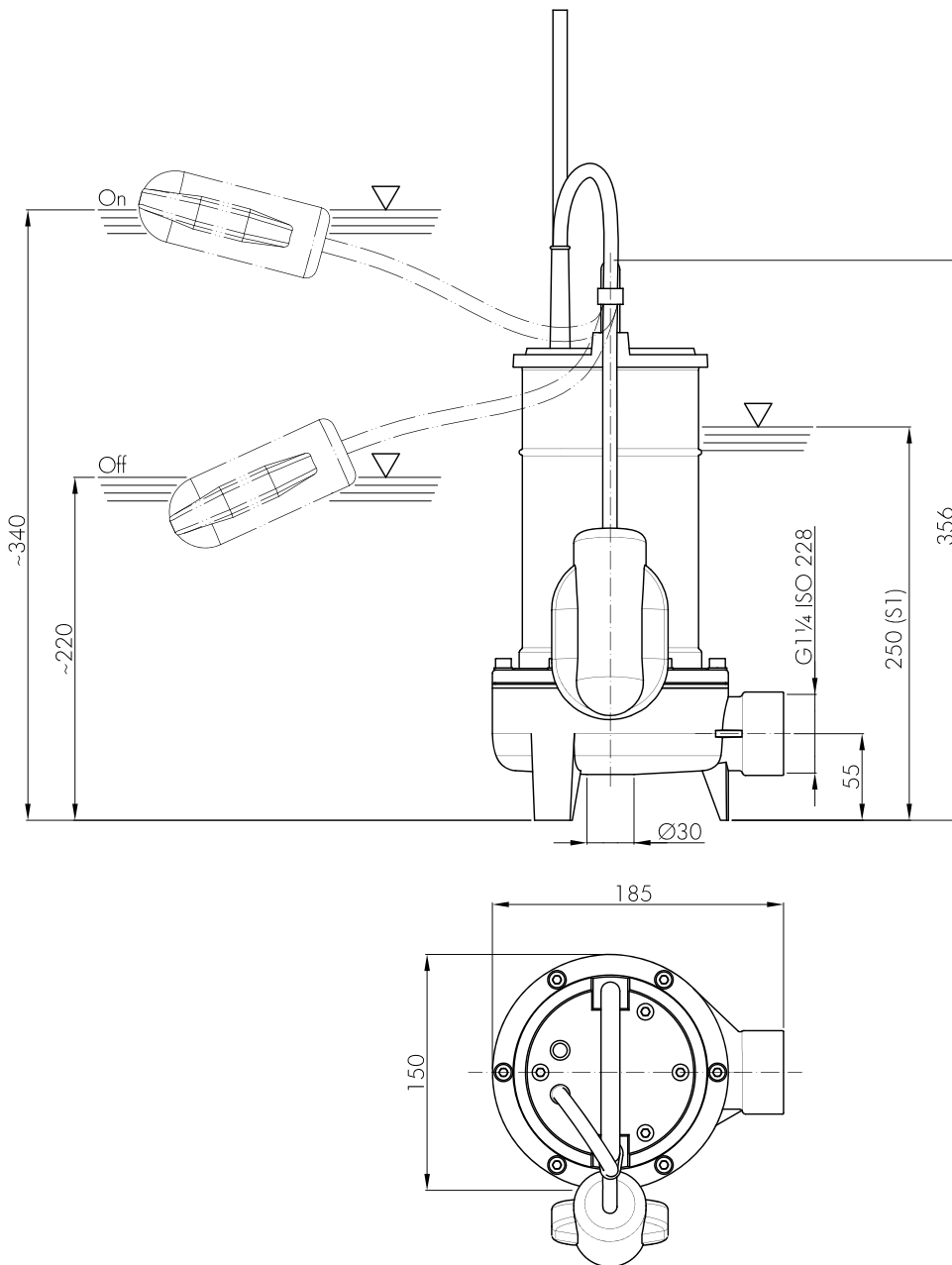
MODEL	CURVE N°	HEAD m							
		22XMV	1	8,6	8,1	7,4	6,7	5,6	4,5



Performance tolerance in according to UNI/ISO 9906 Grade 3B

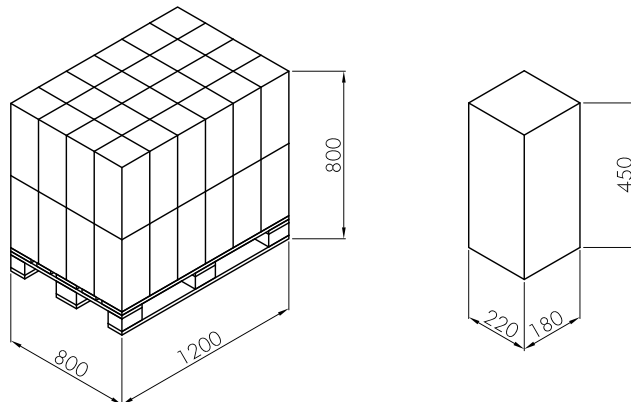
F SERIES	22XMV		VORTEX IMPELLER	60 Hz
				2 POLE


INSTALLATION DIMENSIONS



PACKAGING DIMENSIONS

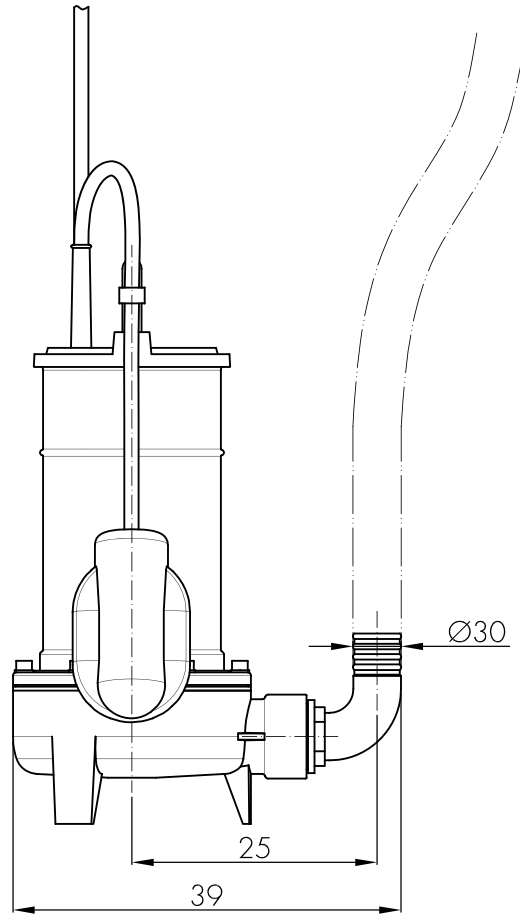
MODEL	PUMPS N°	WEIGHT kg
22XMV	32	400




F SERIES	22XMV		VORTEX IMPELLER	60 Hz
				2 POLE

PORTABLE INSTALLATION

Transportable as emergency pump with connection to the hose and for free installation in the well.



NOTES



.....

.....

.....

.....

.....

.....

.....

i Changes reserved

02/2019